



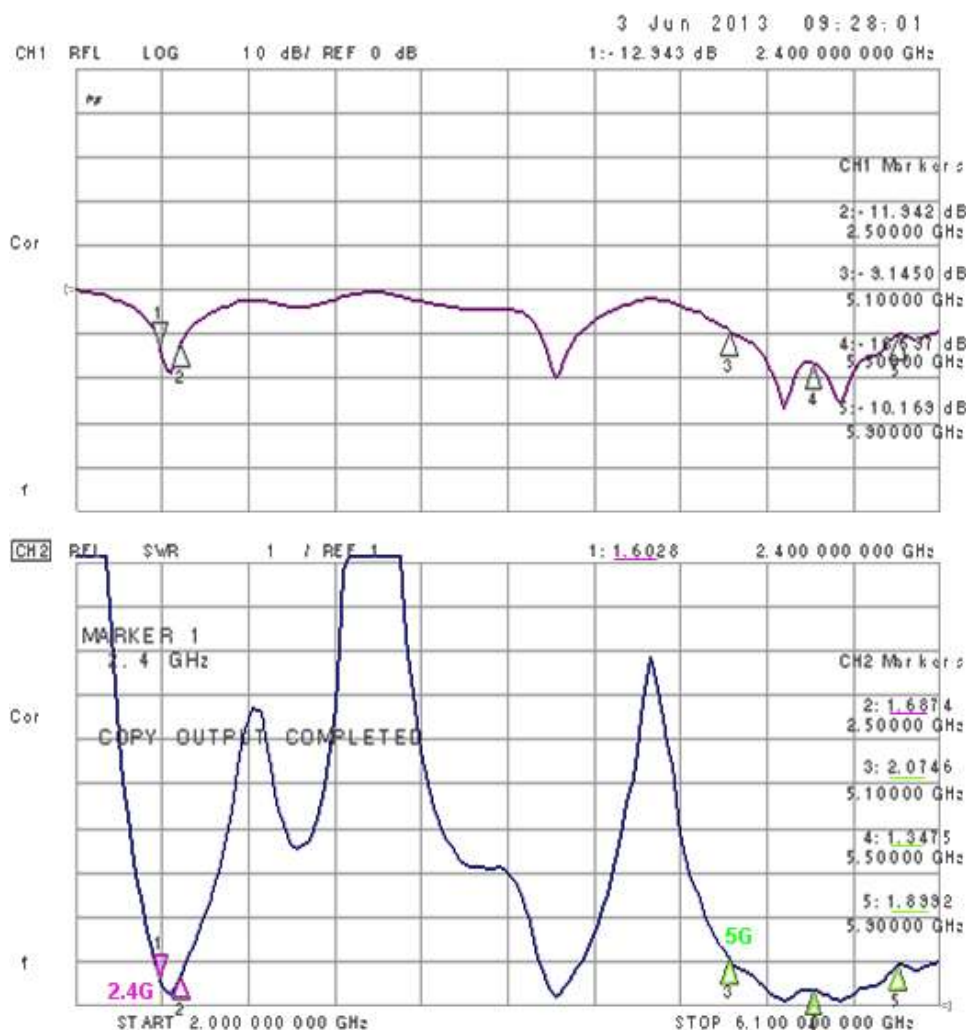
4ipnet ANT-PD245808 is a panel directional antenna designed to increase the wireless efficiency for dual band access points. Providing **8dBi gain for 2.4GHz** band as well as **8dBi for gain for 5GHz**, the antenna is suitable for use with 802.11b/g (2.4GHz), 802.11a(5GHz) and dual band 802.11a/b/g (dual band) access points.

ANT-PD245808 is a rugged outdoor antenna that offers flexible deployment options, supports mid-range wireless transmissions, and provides extreme performance. The antenna is professionally engineered and manufactured from the highest quality components. The rust-proof and watertight ANT-PD245808 is made with UV stabilized ABS plastic to sustain

long periods of outdoor exposure. To ensure the quality of the antenna, all antennas undergo a strict quality test.

The antenna's mounting kit also has the capability of being rotated to alter its polarity, accommodating various deployment needs. Included with the antenna is a mounting bracket that allows the antenna to be mounted on masts with up to 2-inch outside diameter. The "L" style saddle used to mount the antenna can also be adjusted up or down 30° to support multiple antenna configuration.

### RETURN LOSS & V.S.W.R (upper: Return Loss, lower: V.S.W.R)



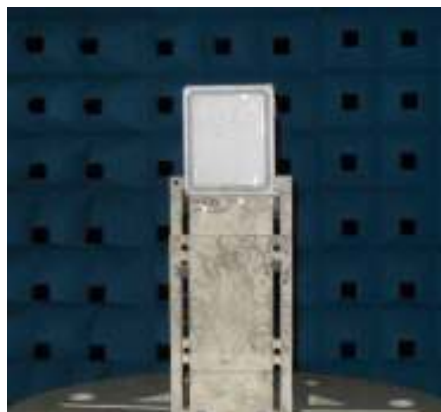
# VERTICAL & HORIZONTAL ANTENNA PATTERN

Test Equipment - Agilent 8720ET 50MHz-20.5GHz  
Chamber - 14M(L) X 7M(D) X 7M(H)  
Test Frequency - 2.4GHz/5.8GHz  
Than Antenna - Schwarzbeck 9120 LF

## Vertical Pattern Photos



## Horizontal Pattern Photos



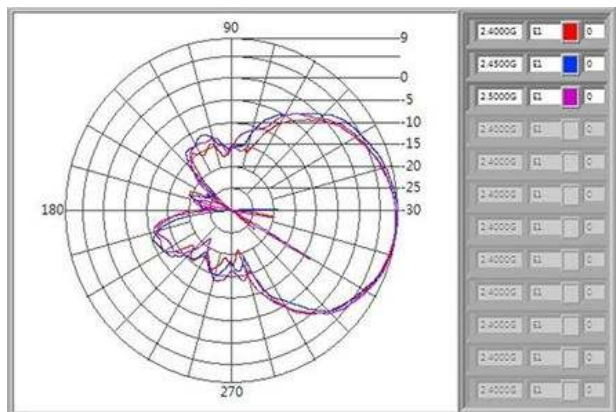
### Vertical Pattern

E-plane co-pol ----- 3-dB beam-with=38 Deg

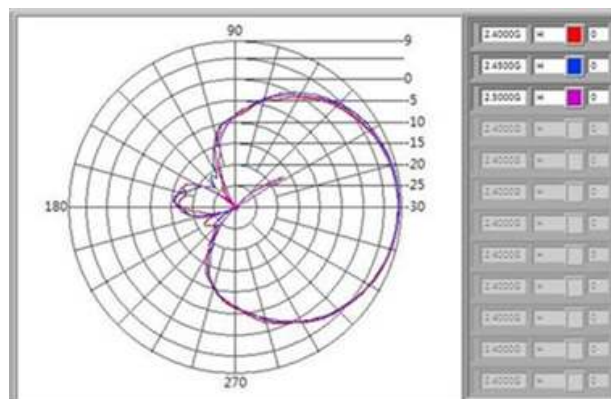
### Horizontal Pattern

H-plane co-pol ----- 3-dB beam-with=42 Deg

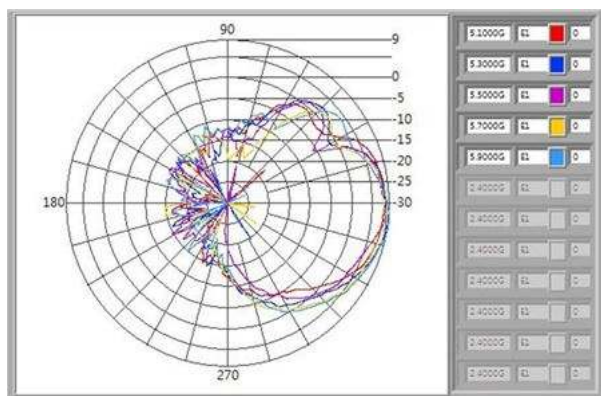
### 2.4-E



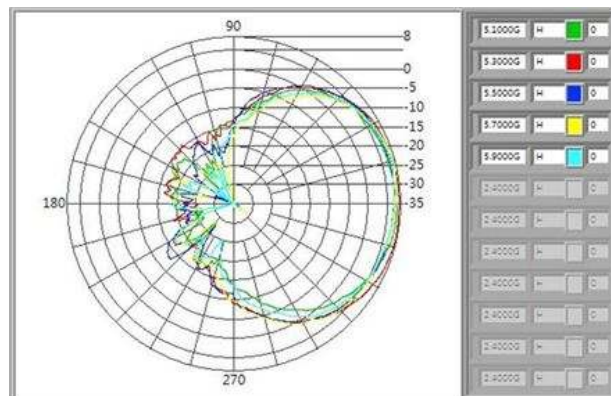
### 2.4-H



### 5.8-E



### 5.8-H



## SPECIFICATIONS

### Electrical Specifications

- Frequency Range: 2.4GHz / 5.8GHz
- Gain (Max): 8 dBi / 8dBi
- Vertical Beam-width: 53° / 46°
- Horizontal Beam-width: 73° / 79°
- V.S.W.R (Max for 2.4G)  $\leq 1.7$
- V.S.W.R (Max for 5G)  $\leq 2$
- Return Loss : See the chart  
(e.g. -12.34dB at 2.4GHz, -3.14 at 5.1GHz, -10.15 at 5.9GHz)
- Antenna Type: PCB Patch Array
- Radiation: Directional
- Polarization: Vertical
- Maximum Power: 5W
- Impedance: 50 Ohm
- Connector: N-Female

### Mechanical Specifications

- Length: 172\*147mm
- Depth: 30mm
- Antenna Weight: 370g
- Wide Survival: >125MPH
- Radom Material: ABS + UV Resistance
- Base Plate Material: Aluminum
- Mounting Kit Material: Stainless Steel and Aluminum
- Mount Style: Pole Mount (pole is not included)
- Down-tilt: "L " Style 0-30
- Operating Temperature:  $-40^{\circ}\text{C}$  to  $+80^{\circ}\text{C}$
- Mounting/Clamps: 32-45mm/U-bolt
- RoHS Compliant: Yes

## APPLICATIONS & FEATURES

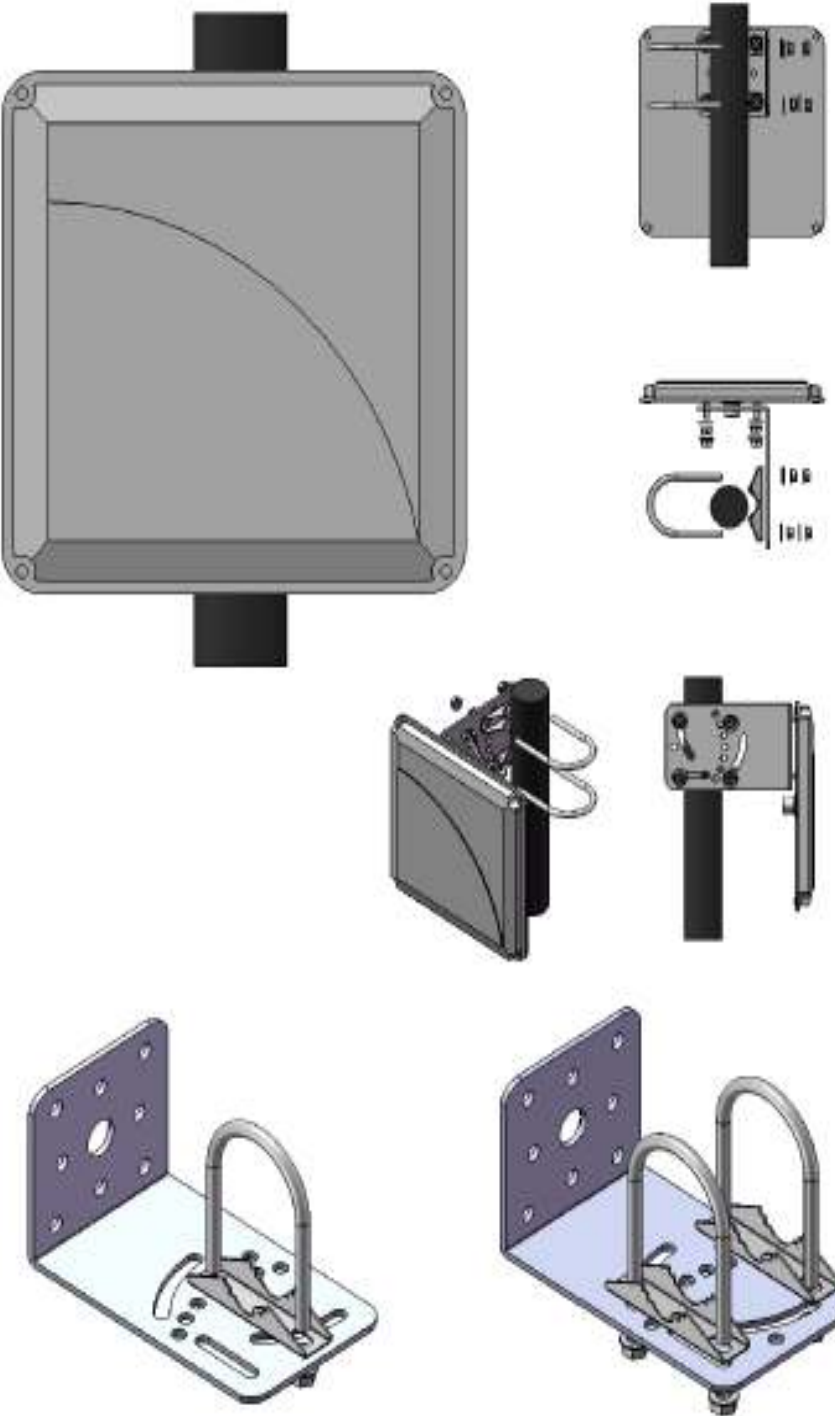
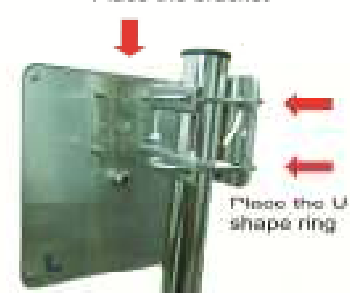

### Antenna Applications

- Outdoor/indoor Wi-Fi access point or CPE
- Wireless backhaul
- Wireless video surveillance
- Long range point-to-point
- Point-to-multipoint

### Features

- Superior performance
- Light-weight
- All-weather operation
- DC short lightning protection
- Includes tilt and swivel mast mount
- Ultra-wide frequency

# MOUNTING KIT AND INSTALLATION GUIDE

	<p><b>1.</b> Place the bracket</p>  <p>Place the U shape ring</p>
	<p><b>2.</b></p>  <p>Winding waterproof tape</p>
	<p><b>3.</b> <i>Finish</i></p> 