

Spec No.: ZTT 40906-3

Revision: 1

Date: Mar. 6th, 2014



TECHNICAL SPECIFICATION

Common Clamps for Leaky Cables



Alice Cai

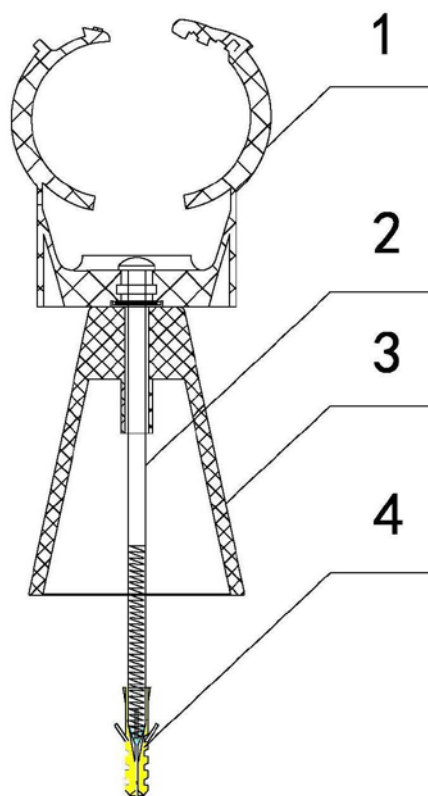
Designer: Senior Technical Manager

Felix Chen

Approver: Chief Technical Engineer

Common Clamps for Leaky Cables

1. Product Drawing



2. Components Material

Leaky Cable Type	Components	Material Type
1/2"	1	PA66
	2	304 Stainless steel
	3	PA66
	4	Imported nylon