

# TECHNICAL SPECIFICATION

## Connectors



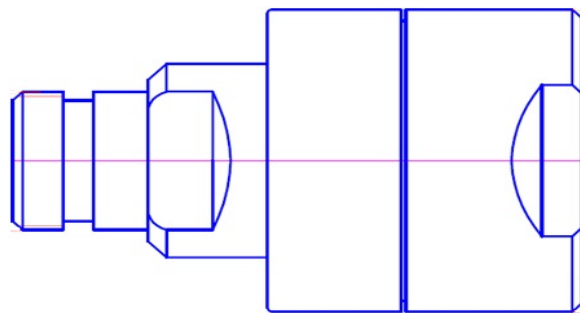
Revision	Date	Prepared	Checked	Approved	Remarks
1	June 20, 2016	Leon	Reddy	Felix	

Jiangsu Zhongtian Technology Co., Ltd.

No.5 Zhongtian Road, NEATA, Nantong City, Jiangsu province, China Tel: +86-513-8919 1138 Fax: +86-513- 8359 9670

# 7/8" N Type Female Connector

## 1. Description



RF connector with N type is typical type for communication systems.

ZTT connectors have the following features:

- (a) Excellent VSWR Performance
- (b) Fast and Easy Installation
- (c) Waterproof
- (d) Environment Resistance Ensures Long

Life and Consistent Performance

## 2. Electrical Characteristics

Item	Specification
Characteristic impedance ( $\Omega$ )	$50 \pm 2$
Frequency range (GHz)	0~3
VSWR	$\leq 1.20$
Contact resistance ( $m\Omega$ )	Center contact $\leq 1$ , outer contact $\leq 1$
Dielectric resistance ( $M\Omega$ )	$\geq 5000$
Waterproof	Yes

## 3. Mechanical Characteristics

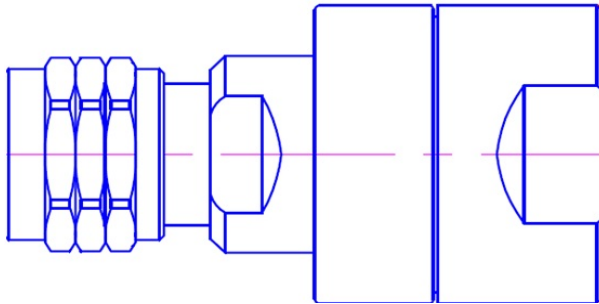
Item	Specification
Durability (cycles)	Mating cycles $\geq 500$

## 4. Environmental Characteristics

Item	Specification
Temperature range ( $^{\circ}C$ )	-40~+85

# 7/8" N Type Male Connector

## 1. Description



RF connector with N type is typical type for communication systems.

ZTT connectors have the following features:

- (a) Excellent VSWR Performance
- (b) Fast and Easy Installation
- (c) Waterproof
- (d) Environment Resistance Ensures Long Life and Consistent Performance

## 2. Electrical Characteristics

Item	Specification
Characteristic impedance ( $\Omega$ )	$50 \pm 2$
Frequency range (GHz)	0~3
VSWR	$\leq 1.20$
Contact resistance ( $m\Omega$ )	Center contact $\leq 1$ , outer contact $\leq 1$
Dielectric resistance ( $M\Omega$ )	$\geq 5000$
Waterproof	Yes

## 3. Mechanical Characteristics

Item	Specification
Durability (cycles)	Mating cycles $\geq 500$

## 4. Environmental Characteristics

Item	Specification
Temperature range ( $^{\circ}C$ )	-40~+85