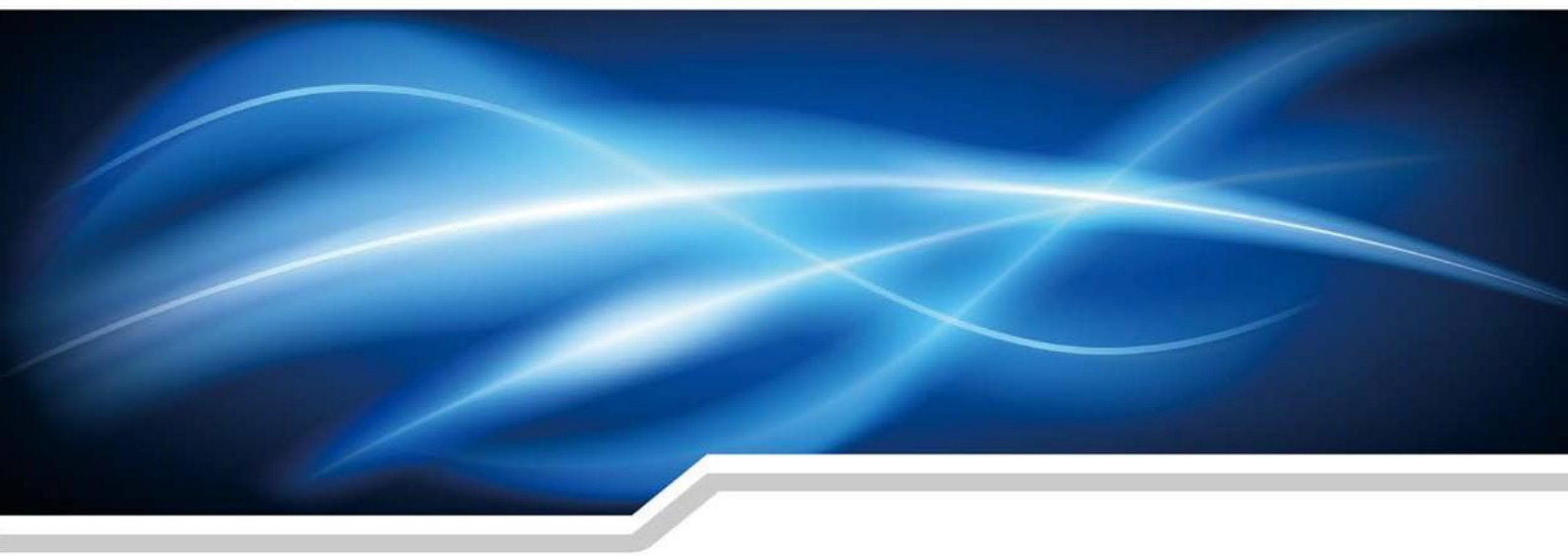


TECHNICAL SPECIFICATION

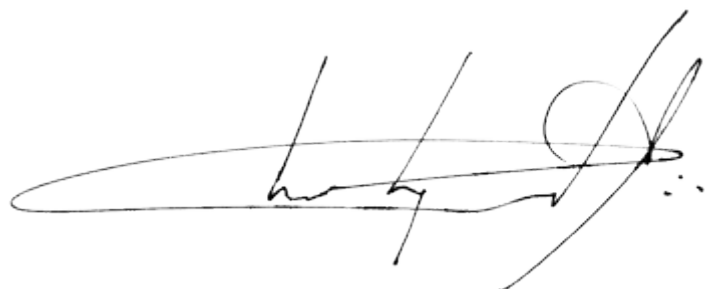
1/2" Coupled Mode Leaky Coaxial Cable



Revision	Date	Prepared	Checked	Approved	Remarks
1	June 13, 2016	Leon	Reddy	Felix	

Jiangsu Zhongtian Technology Co., Ltd.

No.5 Zhongtian Road, NEATA, Nantong City, Jiangsu province, China Tel: +86-513-8919 1138 Fax: +86-513- 8359 9670



1. GENERAL

1.1 Scope

This specification covers the general requirements and performance of leaky coaxial cable provided by Zhongtian Technology Co., Ltd. (hereafter called ZTT for short).

1.2 Cable Description

HLCAAYZ-50-12-C2, China ZTT leaky coaxial cable, 50 ohm, 1/2", outer copper conductor double slots, black LSZH polyolefin jacket.

1.3 Quality

Excellent quality control is achieved through intense in-house quality check and stringent audit acceptance by ISO 9001.

1.4 Reliability

ZTT ensures product reliability through rigorous qualification testing of each product family. Both initial and periodic qualification testing are performed to assure the cable's performance and durability in the field environments.

1.5 Reference

The cables which ZTT offered are designed, manufactured and tested according to international standards as follows:

YD/T 1120-2007	Telecommunication cable foamed polyethylene dielectric leaky coaxial cable.
IEC 61196-4	Coaxial communication cables

2. CABLE STRUCTURE

2.1 Cable Type: HLCAAYZ-50-12-C2



2.2 Construction of Cable

Item	Diameter(mm)	Material
Inner conductor	4.80±0.10	Copper clad Aluminum wire
Insulation	12.10±0.20	Foamed polyethylene
Outer copper conductor	13.80±0.20	Annular corrugated copper tube/double slots
Jacket	15.70±0.20	LSZH polyolefin

2.3 Mechanical characteristics

Item	Unit	Nominal value
Minimum bending radius	mm	120(Single bend)
Tensile strength	N	1120
Operation temperature	°C	-30~+70

2.4 Electrical Characteristics

Item	Specification
Characteristics impedance	50±2 Ω
Best working bandwidth	900~2400MHZ
Min. insulation resistance	5000 MΩ · km
Dielectric strength	DC 15000 V
Velocity	88%
VSWR typical value (±3%)	1.35

2.5 Attenuation (Nominal Value)

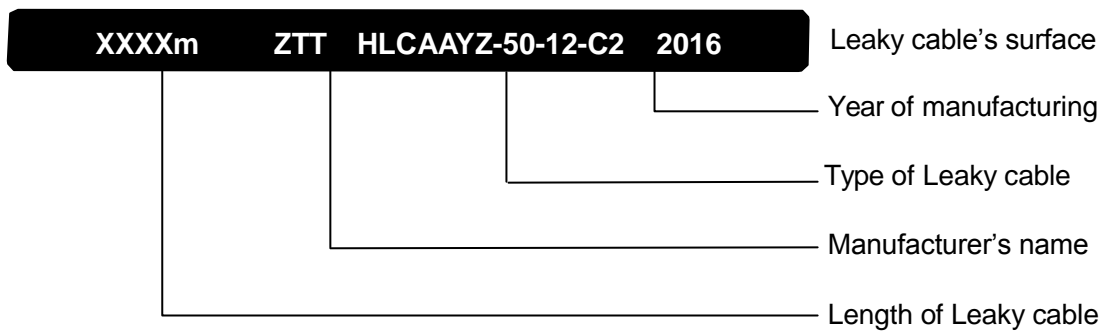
FREQUENCY (MHz)	ATTENUATION(±10%) (dB/100m)	Coupling Loss(50%/95%,2m,dB) (±5dB)
900	9.03	71/82
1900	13.90	71/82
2200	16.75	70/81
2400	17.83	72/84

Range: Attenuation:±10%,Coupling Loss:±5dB

3. PRINTS

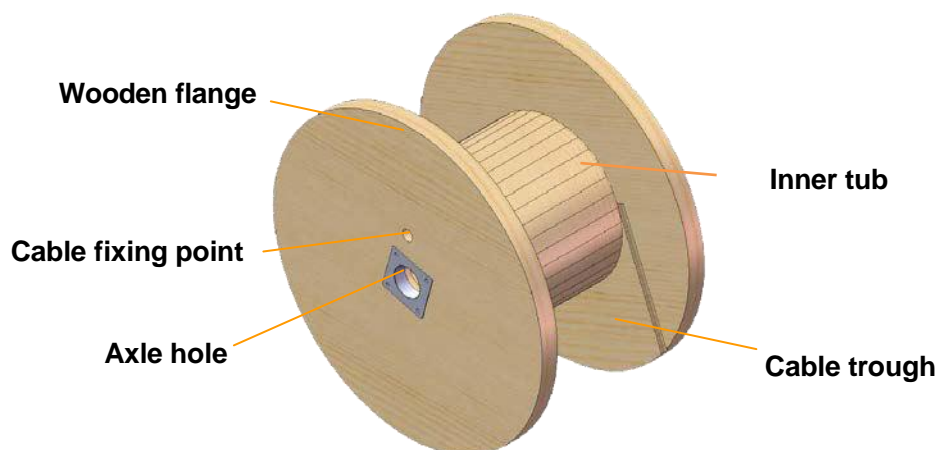
The color of marking is white. At every meter, the outer sheath shall be printed.

Recommended printing:



4. PACKING INFORMATION

ZTT highly foamed polyethylene dielectric coaxial cables are coiled on wooden reels which are not returnable and protected by strong wooden batten. The end of cable will be sealed with heat shrinkable end cap to prevent ingress of water



SIZE	TYPE	LENGTH (m)	DRUM TYPE	REMARK
1/2"	HLCAAYZ-50-12-C2	500	D:850mm W:570mm	Bakelite & wooden drum
1/2"	HLCAAYZ-50-12-C2	1000	D:950mm W:670mm	Bakelite & wooden drum